

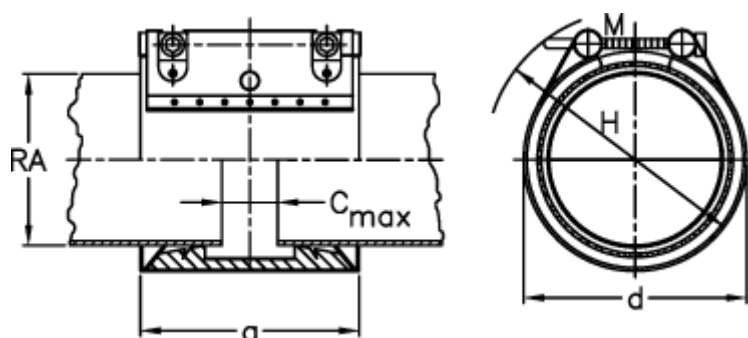
Data Sheet



Article number: 025848460060

Description: Norma Connect pipe coupling
COMBI GRIP GL W2 Ø60,3/63 NBR 16 bar

Measures



a = 77.4

C max with insertion band = 17

d = 85

H = 105

M (screw) = M8

Nominal pressure (bar) = 16

RA = 60,3/63,0

RA min-RA max metal = 59,0-61,0

RA min-RA max plastic = 62,5-63,5

Weight a piece = 0.8